

Tools needed

- Tape Measure
 - Extension Ladder
 - Safety Glasses
 - Gloves
 - Cutting Tools
 - Drill
 - Sheet Metal Screws
- *Note: Screws are not included.*

Safety is Our #1 Priority

During installation we recommend that you...

- Wear safety gloves and safety glasses.
- Use an extension ladder and standoff for stability.
- Make all cuts to the fascia mounts on the ground.
- Obey local building codes.

Note:

- Remove any labels/stickers from the fascia mount pieces as needed.

Contact Us

(866) 483-8166
M-F 8am-7pm CST

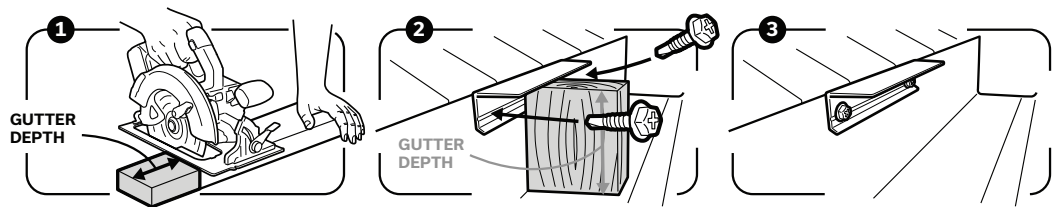
customersupport@gutterglove.com

Installation Help

Install tip: The 4 foot length pieces of Fascia Mount can be installed end to end, or they can be cut down to shorter lengths. To save material, we recommend cutting them down to 6 inch pieces.

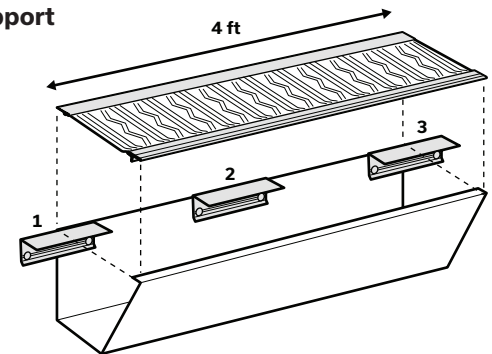
Installing the Fascia Mount

1. To install the fascia mount at a consistent height, we recommend cutting a 2x4 piece of wood the same depth as the gutter to use as a guide.
2. Using the indent scribe as a screw guide, attach the fascia mount (with the drip edge down) to the fascia.
3. Use 2 screws for each 6 inch piece, or 4 screws if installing a full 4 foot piece of gutter guard fascia mount.



Recommended Cut Schedule for Maximum Support

1. Use 1 piece of 6 inch fascia mount as a center support for a 4 foot piece of gutter guard, and then 1 piece of 6 inch fascia mount at both ends.
2. The 6 inch end pieces should be installed where they support the last 3 inches of gutter guard and then allow 3 inches of support for the next gutter guard installed.



Installing the Gutter Guard

1. Rest the rear of the gutter guard on the fascia mount. The top side of the fascia mount is tapered at a slight angle and will support the gutter guard.
2. If necessary, the gutter guard can be fastened to the fascia mount with screws. Follow the gutter guard installation steps.

